

BACK-END

THYRISTOR

DIODE

SURGE TESTER サージテスター

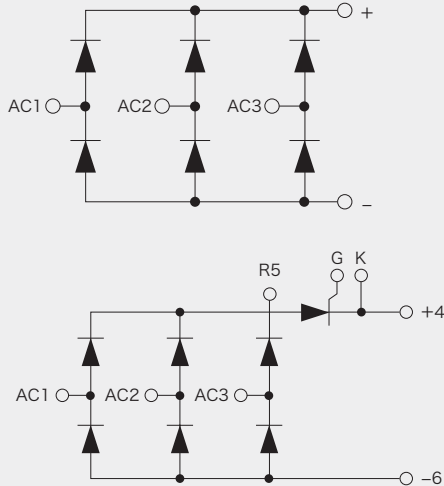
SZD10TA 10000A

- SZD10TA has been designed to guarantee for surge tolerance of diode or thyristor with 10,000A forcing at maximum. This system also has thermal resistance measurement function.
- SZD10TA はダイオードまたはサイリスタのサージ耐量を保証するシステムで、最大 10,000A の印加を可能としています。その他、熱抵抗測定機能も装備しています。



Measurement Device (ex)

測定デバイス (一例)



Measurement Result Display (ex)

測定結果表示 (一例)

Program Name	PCH20NB									
Lot No.	02132921 090602									
Date										
Test No.	CONTACT	1.1	1.2	2	2	3.1	2	3.2	2	
Ch.A	1	1	1	1	1	1	1	1	1	
Ch.K	1	1	1	1	1	1	1	1	1	
Ch.G	1	1	1	1	1	1	1	1	1	
Test Contents	IGT	[mA]	VGT	[mV]	VT	[mV]	ITS	[A]	IT	[A]
Unit	inA		inV		inV		inV		inV	
Test Condition	VD=6.0V		IF=200.0A		IF=200.0A		IF=200.0A		IF=200.0A	
	IG=100mA		IF=6.0msec.		IF=6.0msec.		IF=6.0msec.		IF=6.0msec.	
	ID-Limit=100A		ID-Limit=100A		ID-Limit=100A		ID-Limit=100A		ID-Limit=100A	
USL	20	1000	120	200	200	200	200	200	200	9999
LSL	10	500	60	100	100	100	100	100	100	0
Sample No.	1 OK	33.2 OK	834 OK	1000	200 OK	2397	2000 OK	-36 OK	-38 OK	-38 OK
2 OK	32.9 OK	822 OK	1008	200 OK	2405	2000 OK	-36 OK	-38 OK	-38 OK	
3 OK	32.8 OK	824 OK	1009	200 OK	2405	2002 OK	-36 OK	-38 OK	-38 OK	
4 OK	32.7 OK	821 OK	1008	200 OK	2404	2002 OK	-36 OK	-38 OK	-38 OK	
5 OK	32.4 OK	820 OK	1008	200 OK	2404	2002 OK	-36 OK	-38 OK	-38 OK	
6 OK	32.1 OK	818 OK	1007	200 OK	2408	2002 OK	-36 OK	-38 OK	-38 OK	
7 OK	32.1 OK	818 OK	1006	200 OK	2411	2002 OK	-36 OK	-38 OK	-38 OK	
8 OK	31.9 OK	817 OK	1006	200 OK	2389	2002 OK	-36 OK	-38 OK	-38 OK	
9 OK	31.9 OK	817 OK	1005	200 OK	2386	2002 OK	-36 OK	-38 OK	-38 OK	
10 OK	31.9 OK	817 OK	1004	200 OK	2383	2002 OK	-36 OK	-38 OK	-38 OK	
11 OK	31.9 OK	817 OK	1005	200 OK	2382	2002 OK	-36 OK	-38 OK	-38 OK	
12 OK	31.9 OK	816 OK	1009	200 OK	2390	2000 OK	-36 OK	-38 OK	-38 OK	
13 OK	31.9 OK	817 OK	1006	200 OK	2387	2002 OK	-36 OK	-38 OK	-38 OK	
14 OK	31.9 OK	816 OK	1007	200 OK	2388	2000 OK	-36 OK	-38 OK	-38 OK	
15 OK	31.7 OK	816 OK	1000	200 OK	2386	2000 OK	-36 OK	-38 OK	-38 OK	
16 OK	31.7 OK	816 OK	1006	200 OK	2382	2000 OK	-36 OK	-38 OK	-38 OK	
17 OK	31.6 OK	816 OK	1007	200 OK	2388	2002 OK	-36 OK	-38 OK	-38 OK	
18 OK	31.6 OK	815 OK	1007	200 OK	2385	2002 OK	-36 OK	-38 OK	-38 OK	
19 OK	31.4 OK	813 OK	1004	200 OK	2386	2002 OK	-36 OK	-38 OK	-38 OK	
20 OK	31.4 OK	814 OK	1008	200 OK	2389	2002 OK	-36 OK	-38 OK	-38 OK	
21 OK	31.6 OK	816 OK	1006	200 OK	2386	2002 OK	-36 OK	-38 OK	-38 OK	
22 OK	31.5 OK	815 OK	1001	200 OK	2390	2002 OK	-36 OK	-38 OK	-38 OK	
23 OK	31.4 OK	814 OK	1003	199 OK	2387	2002 OK	-36 OK	-38 OK	-38 OK	
24 OK	31.4 OK	813 OK	1001	200 OK	2388	2002 OK	-36 OK	-38 OK	-38 OK	
25 OK	31.9 OK	817 OK	1001	200 OK	2386	2002 OK	-36 OK	-38 OK	-38 OK	
26 OK	31.9 OK	816 OK	1000	200 OK	2389	2002 OK	-36 OK	-38 OK	-38 OK	
27 OK	31.4 OK	814 OK	1000	200 OK	2405	2002 OK	-36 OK	-38 OK	-38 OK	
28 OK	32.2 OK	820 OK	1000	200 OK	2393	2002 OK	-36 OK	-38 OK	-38 OK	
29 OK	31.6 OK	816 OK	1007	200 OK	2400	2002 OK	-36 OK	-38 OK	-38 OK	
30 OK	31.3 OK	815 OK	1009	200 OK	2405	2002 OK	-36 OK	-38 OK	-38 OK	

MODEL

SZD10TA

Gate test [ゲート試験]

IG(Forcing)

10mA~500mA

VG(Detect)

0000mA~9999mV

Surge forcing current test [サージ順電流試験]

IFs(Forcing)

10A~9990A

VFs(Detect)

0000mA~9999mV

Forcing voltage test [順電圧試験]

IF(Forcing)

10A~3000A

VF(Detect)

0000mA~9999mV

VGK voltage test [VGK電圧試験]

IF(Forcing)

10A~999A

IG(Forcing)

10mA~500mA

VG(Detect)

0000mA~9999mV

Thermal resistance test [熱抵抗試験]

IB(Forcing)

0.01A~9.99A

IF(Forcing)

10A~999A

POWER FORCING TIME(PT)

0.01s~2.00s

VB2 DELAY TIME(Td)

100μs~9999μs

IG(Forcing)

10mA~500mA

ΔVF MEASUREMENT RANGE

0000mV~1999mV

ΔVF calculation[ΔVF算出]

ΔVF=VB1-VB2

DIMENSIONS & WEIGHT

UNIT-A

550(W)×1460(D)×1700(H)・・・515kg

UNIT-B

550(W)×1460(D)×1700(H)・・・480kg